



Diver Handheld Navigator

ARTEMIS LITE is a handheld underwater computer designed to assist Search & Rescue, commercial and research divers navigate between pre-determined underwater waypoints and give them access to a multi-constellation satellite (GNSS) based position fix.

Navigation and positioning information is received via a small float containing the GNSS antenna, and relayed to the Navigator display through a thin tether cable.

Prior to diving, the NavPointPRO software running on a Windows PC is used to create Mission files containing waypoints and markers that can assist the diver to navigate a search-pattern or efficiently swim between locations.

The integrated depth sensor automatically controls logging of the dive data to internal storage memory, while the diver's position, heading, depth and course history are

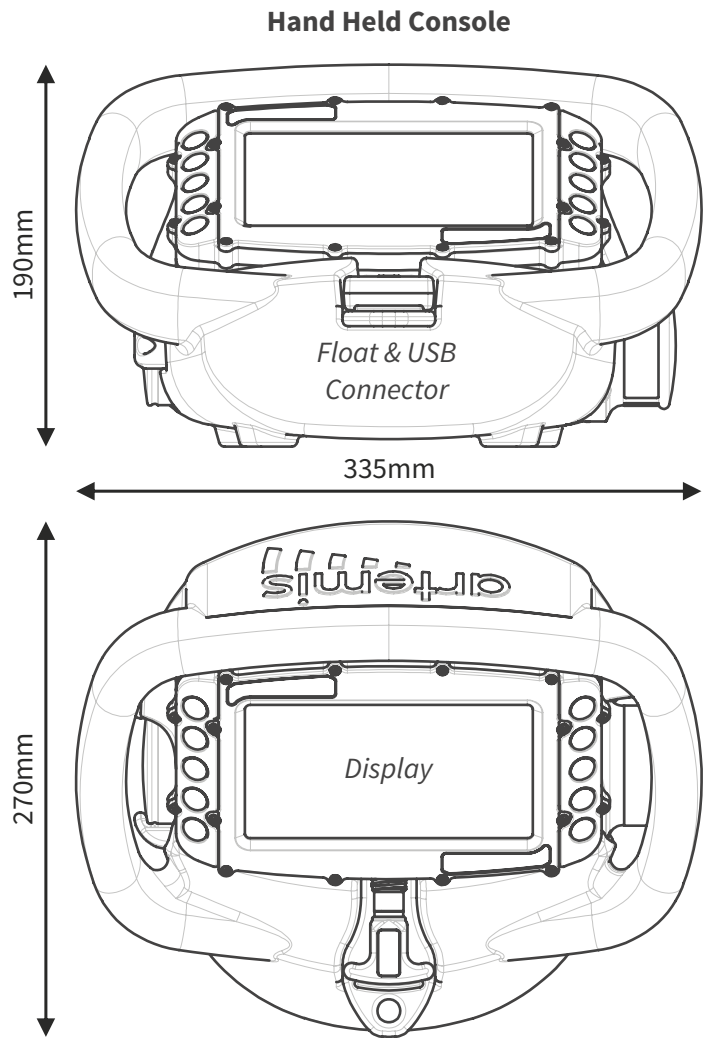
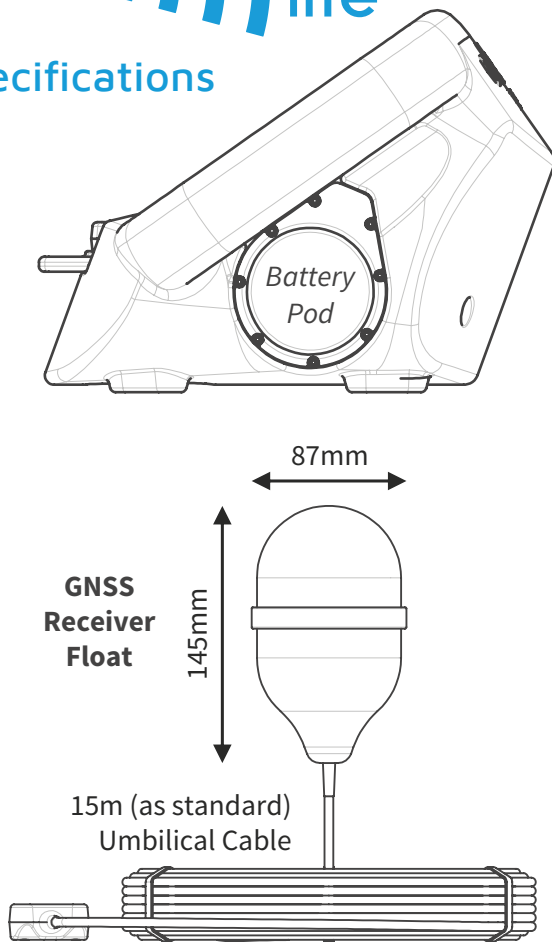
shown on the Console display. Additional information for the currently selected mission marker is shown along with course-to-swim and distance to the marker.

The diver can add additional points of interest during the dive and these, along with the course and depth history, can be reviewed post-dive.

As Divers have a lot on their minds, ARTEMIS LITE has been designed with a simple and intuitive user interface allowing them to quickly interpret information presented via the 7" colour display and simple menu interface. Control is via 10 solid-state "piezo" buttons mounted down either side of the display and operated by the Divers thumbs.

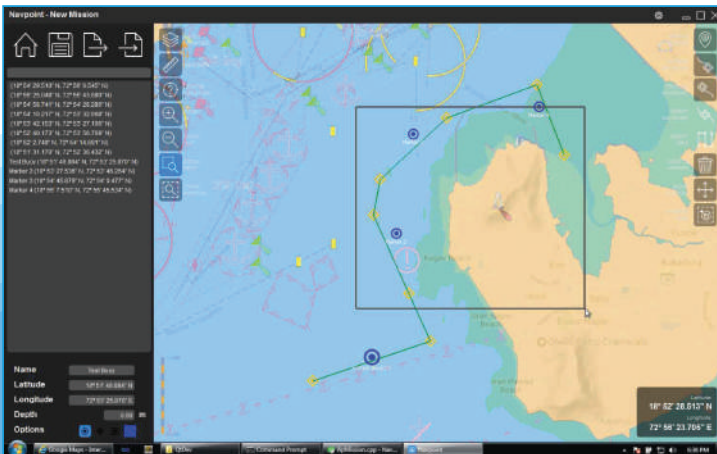
Powered using a compact rechargeable Nickel-Metal Hydride battery pack, the Navigator will operate for over 10 hours from a single charge, while battery packs can be easily swapped on the surface between dives in a matter of minutes.

Specifications



NavPointPRO

NavPointPRO is a PC Windows software application supplied with ARTEMIS LITE, that is used pre-dive to create **Mission Files** with navigation marker locations (waypoints, targets of interest, etc) and chart backgrounds from Google Maps and optionally S57/S63 nautical charts (a hardware licence key must be purchased). Post-dive, it can review the data collected in **Dive-Log Files** and display information such as the route taken by the diver, additional targets marked during the dive and the divers depth profile.



DA-150-P01935-01

Please note that all specifications may be subject to change in line with our policy of continual product development.

Mechanical

Dimensions	270mm long x 335mm wide x 190 mm high
Weight	TBA
Operating Temp.	-10°C to +45°C
Operating Depth	80m sea water

Electrical

Screen	Tilted 7", 1024 x 600 pixel, 16-bit colour Liquid Crystal Display with adjustable back-light brightness.
Data Logging	Data logging to internal 256Gb Solid state drive
Integrated Sensors	Pressure, Water Temp, Attitude/Heading (pitch & roll, compass, rotational rate gyros), Battery voltage
User Interface	10 x solid-state piezo button interface for menu navigation and parameter control
Communications	USB.2.0 480Mbps port for connection to a PC.

Battery Pack

Operating Time	10+ hours typical use from charged battery pack.
Charging Time	Approx 4 hours from fully discharged state.
Charger Supply	90-264V AC Mains at 50-60Hz

GNSS Navigation

GNSS Receiver	72-channel GPS L1 C/A, GLONASS L10F, Galileo E1B/C, SBAS. 2.0m CEP Position Accuracy.
----------------------	---